

Supplementary Material

Fig. S1 Schematic illustration of the crystal plane evolution of ms-BiVO₄.

Fig. S2 Variations of NO conversion efficiency with irradiation time for preliminary experiments with the absence of the ms-BiVO₄ sample (pH = 8), visible-light irradiation, the H₂O₂ solution, both ms-BiVO₄ sample (pH = 8) and the H₂O₂ solution, respectively.

Fig. S3 The fitting line of standard solutions for Ion Chromatography.

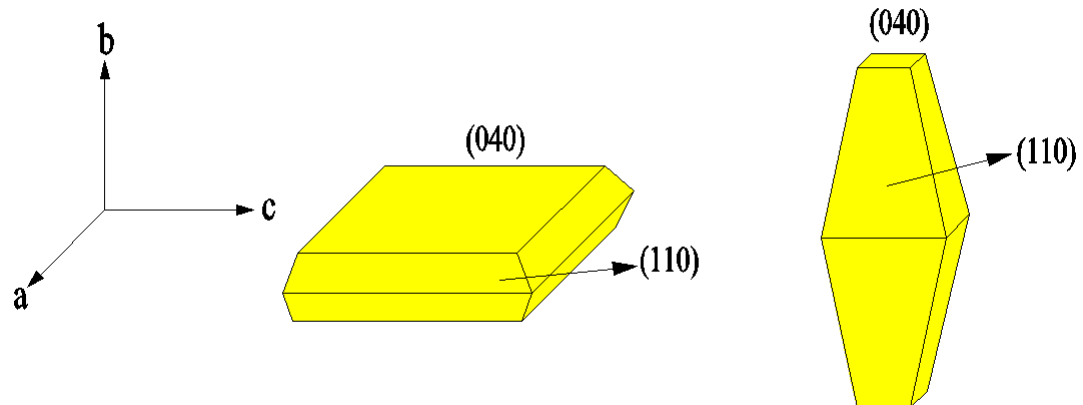


Fig. S1 Schematic illustration of the crystal plane evolution of ms-BiVO₄.

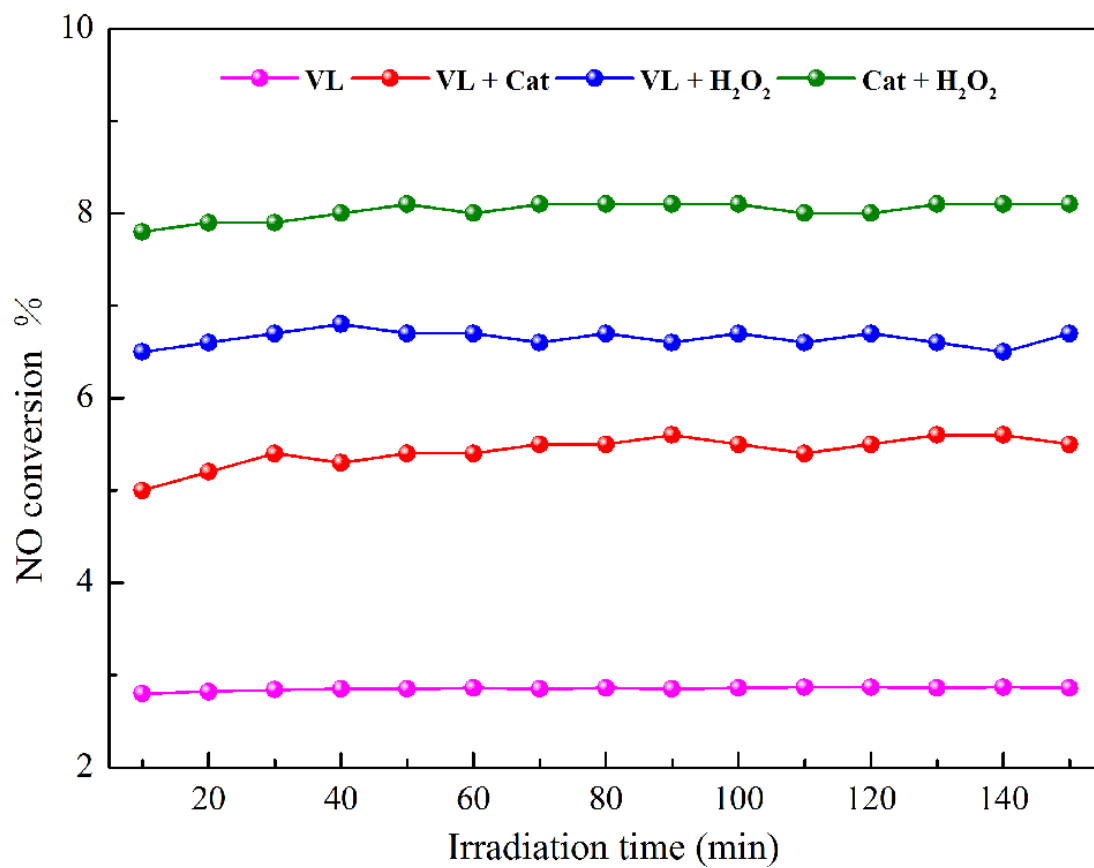


Fig. S2 Variations of NO conversion efficiency with irradiation time for preliminary experiments with the absence of the ms-BiVO₄ sample (pH = 8), visible-light irradiation, the H₂O₂ solution, both ms-BiVO₄ sample (pH = 8) and the H₂O₂ solution, respectively.

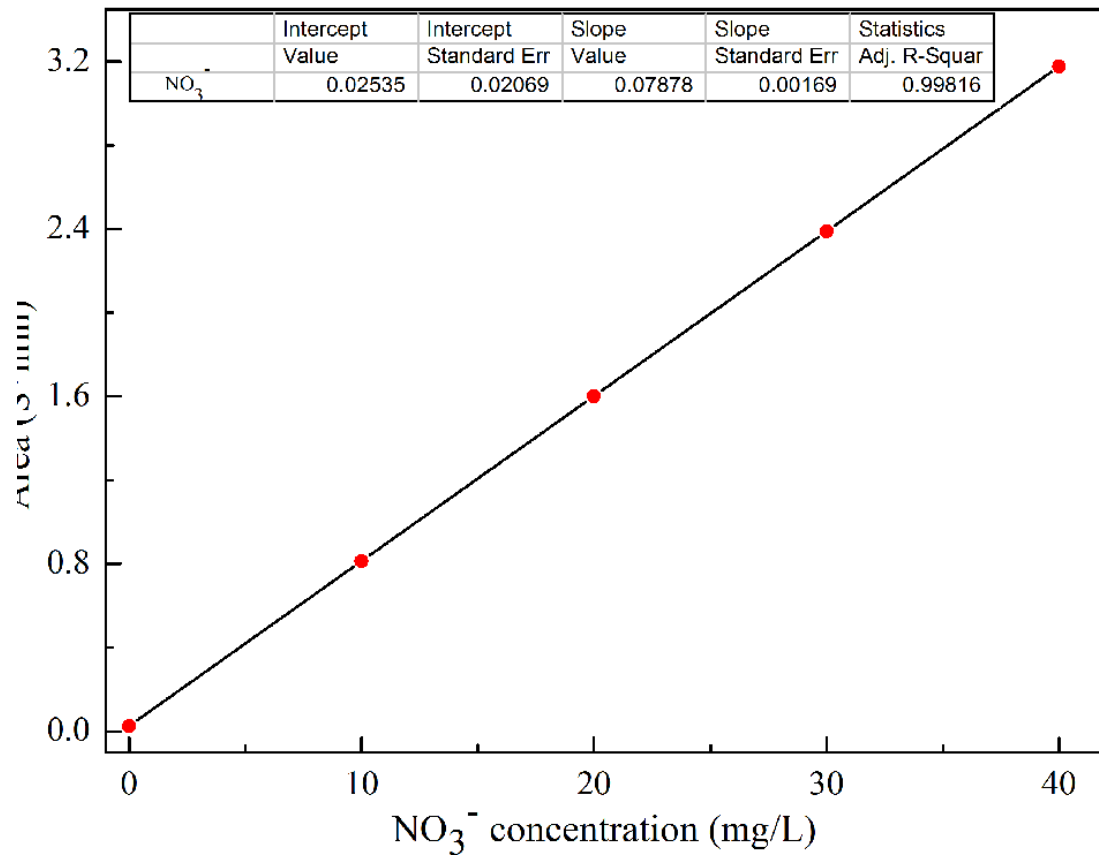


Fig. S3 The fitting line of standard solutions for Ion Chromatography.