

Creating Tissue on Chip Constructs in Microtitre Plates for Drug Discovery

N.P. Macdonald, A. Menachery, J. Reboud and J.M. Cooper

Supplementary Information

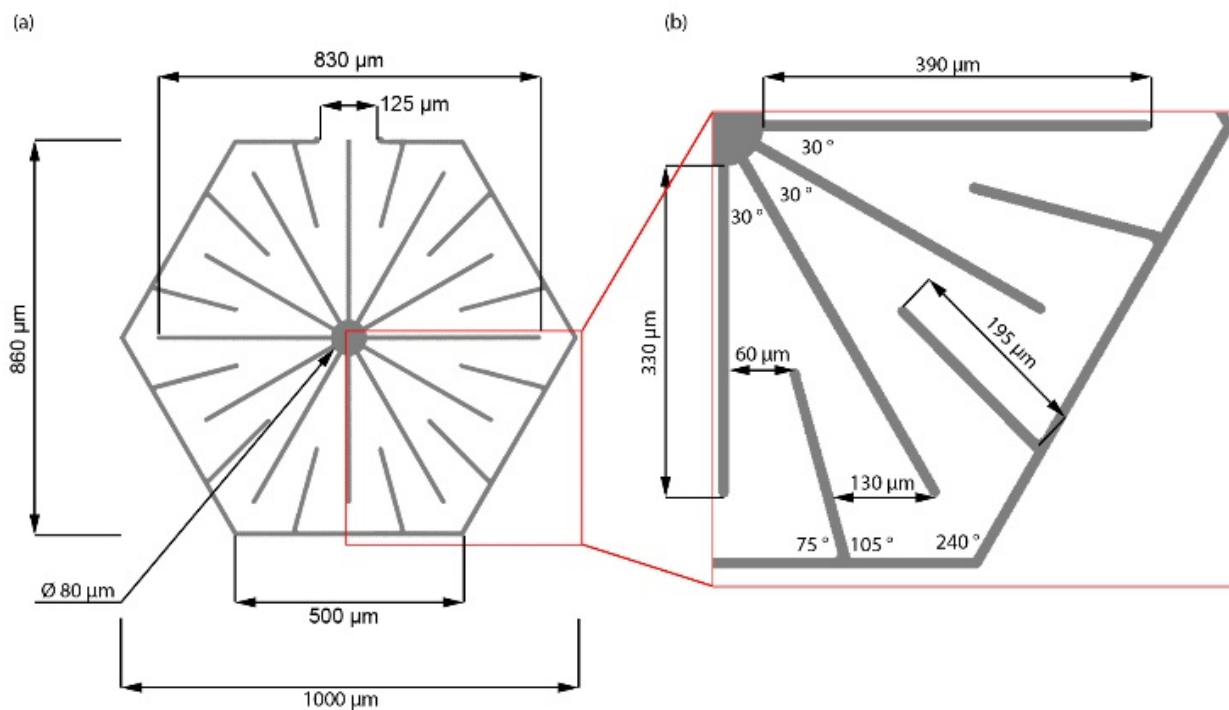


Figure S1. Electrode design

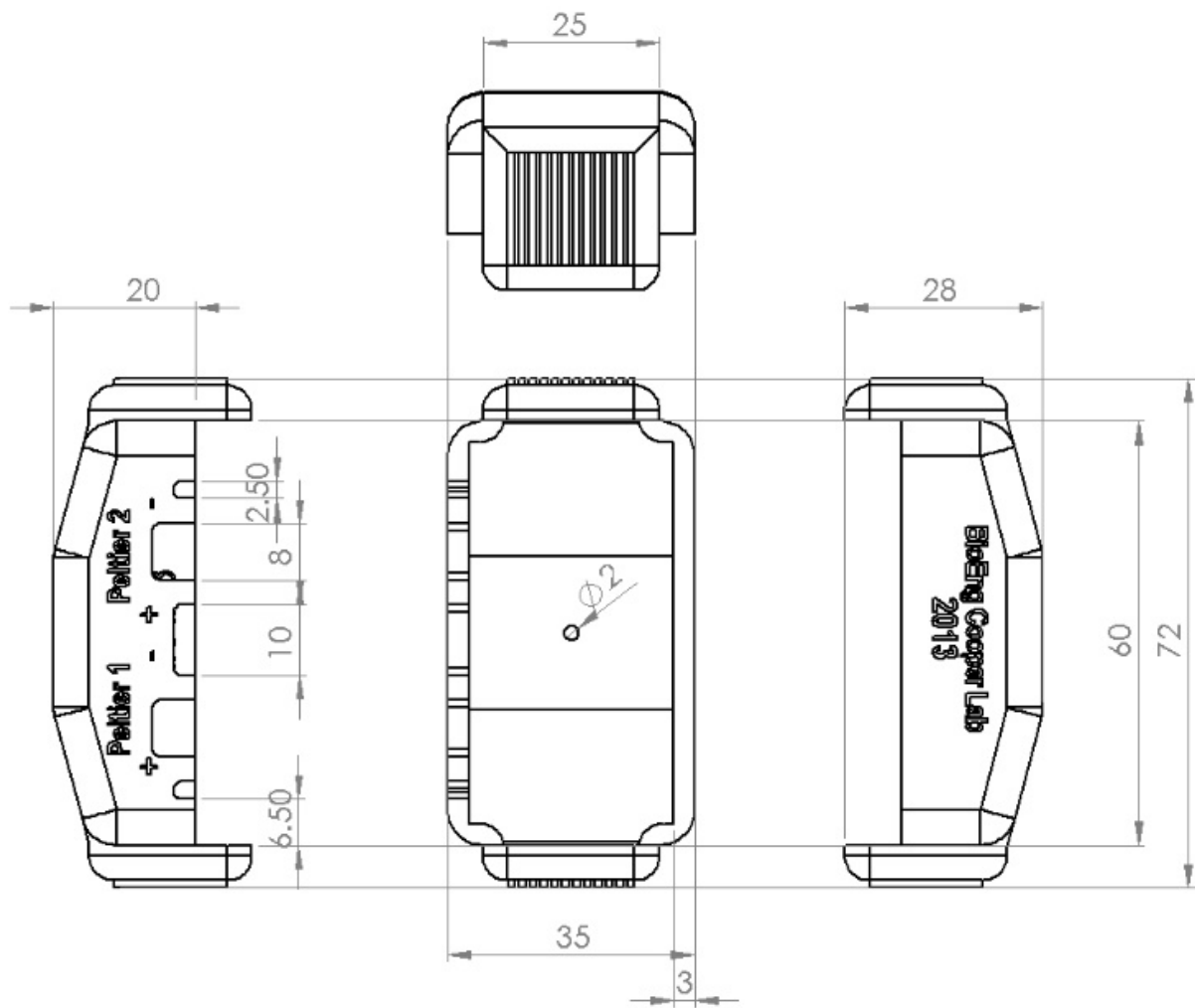


Figure S2. 3D printed cover design

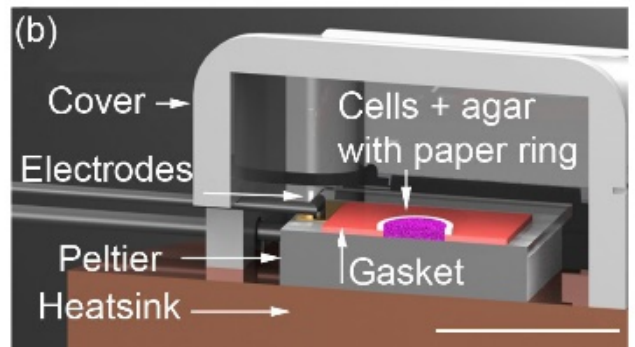
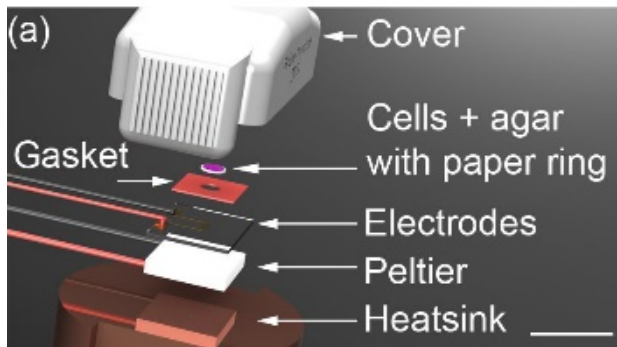
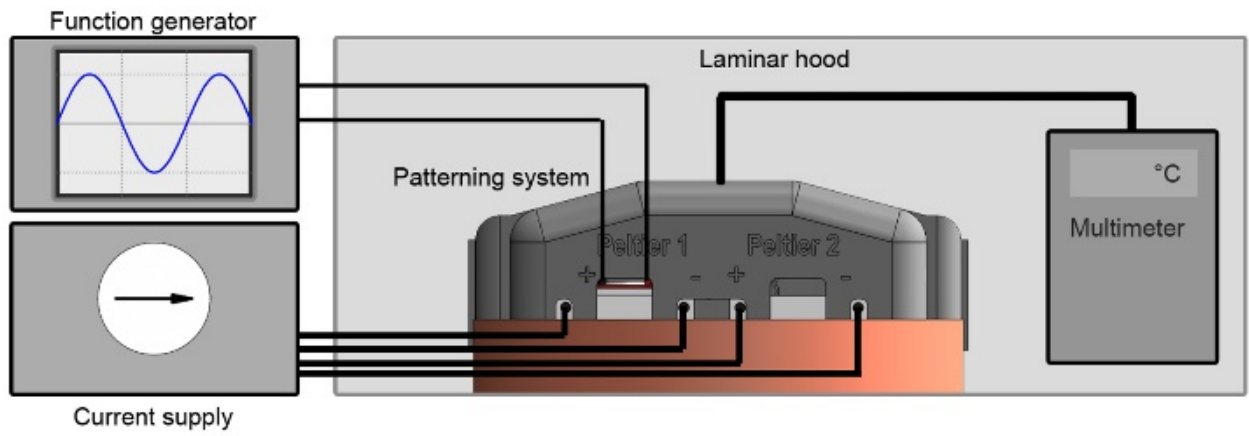


Figure S3 – systems view.