

Supporting Information

Wide-Spectrum Manipulation of Triboelectrification-Induced Electroluminescence by Long Afterglow Phosphor in Elastomeric Zinc Sulfide Composite

Qian Cheng, Ying Wang, Li Su,* Hailu Wang, Guang Zhu,* and Wei Yu*

Samples	PL phosphor concentration in the composites (wt %)	G-EL (g)	B-PL (g)	R- PL (g)	PDMS (g)
1 #	0	1	0	0	5
2 #	40	1	4	0	5
3 #	40	1	0	4	5
4 #	40	1	2	2	5
5 #	14	1	1	0	5
6 #	25	1	2	0	5
7 #	33	1	3	0	5
8 #	14	1	0	1	5
9 #	25	1	0	2	5
10 #	33	1	0	3	5

Table S1 Sample conditions

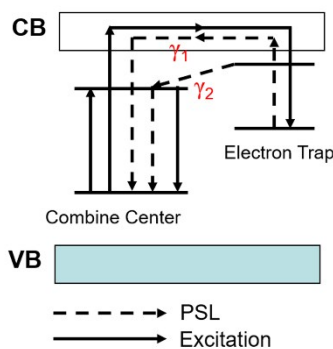


Fig. S1 The scheme of PSL of the long afterglow materials

Supplementary Movies 1-4 The blue, green, red and white strong lights are emitted in a large area by the color-tunable TIEL, respectively.