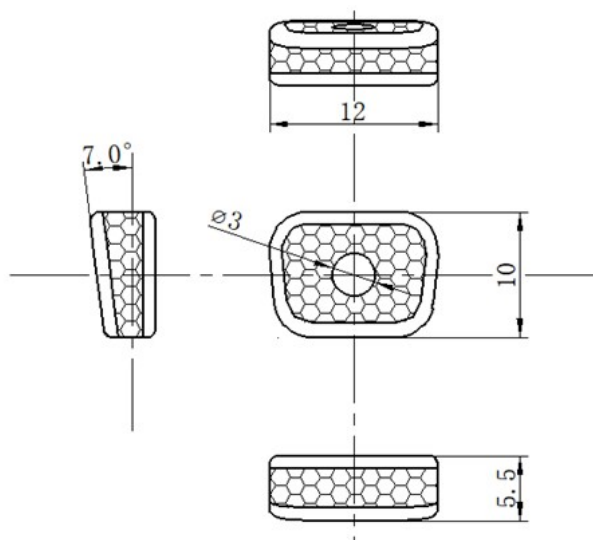


Supplementary materials



Supplementary Figure 1. Design diagram of experimental interbody fusion cage.

Supplementary Table 1. Water contact angle values of the samples.

Control	MAO	MAO+HT
99.90±0.44°	21.04±0.39	19.75±0.80°