
Chloride-bridged oxovanadium(V) complexes with alkoxyalkoxide ligands. Synthesis, structure, electrochemistry and reactivities

Esther C. E. Rosenthal,* Huiling Cui, Juliane Koch, Petra Escarpa Gaede, Markus Hummert and Sebastian Dechert

Electronic Supplementary Information

Molecular structures of 5, 9 and 10

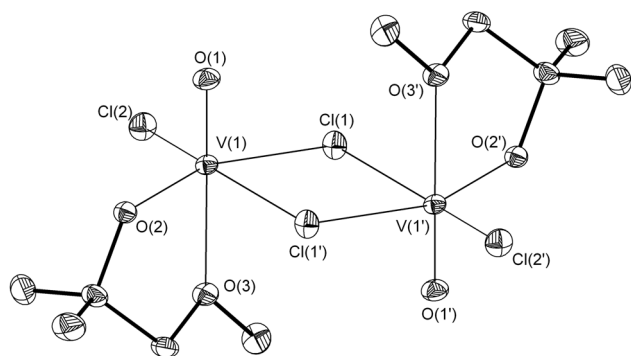


Fig. 7 Molecular structure of **5**; hydrogen atoms were omitted for clarity. Symmetry transformations used to generate equivalent atoms: 1-x, 1-y, 1-z.

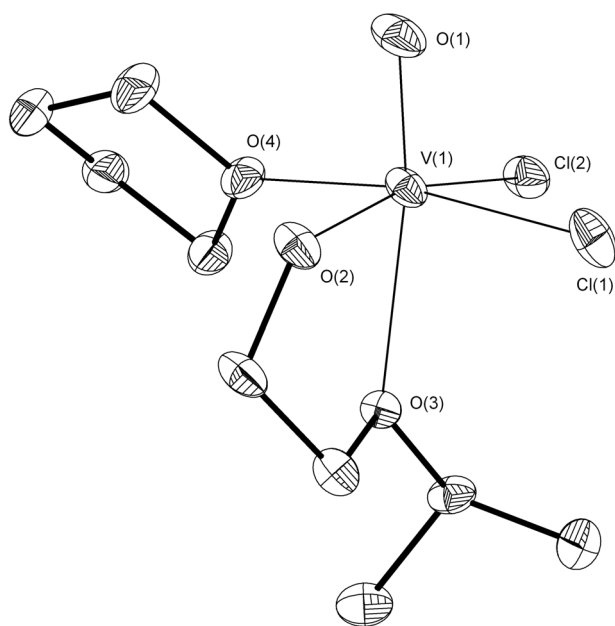


Fig. 8 Molecular structure of the Λ -form of **9**; hydrogen atoms were omitted for clarity.

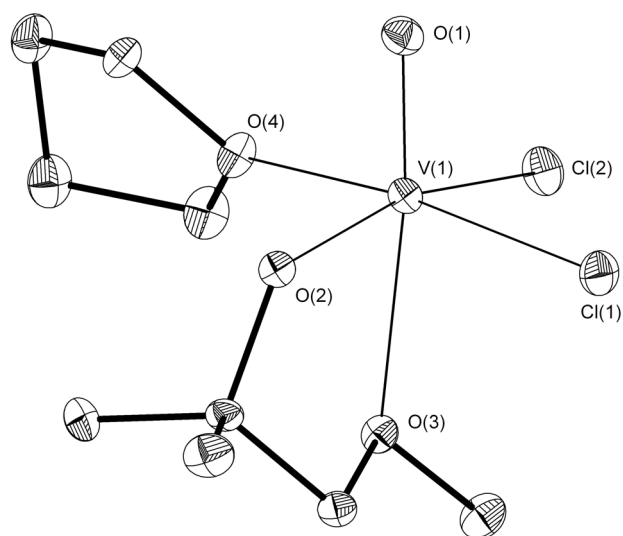


Fig. 9 Molecular structure of the Λ -form of **10**; hydrogen atoms were omitted for clarity.